

BVS 13-69N CATV amplifier 30 dB | 100 dB μ V CSO/CTB



- ✓ KDG 1 TS 140: B(3.2)
- ✓ Downstream 85...1006 MHz
- ✓ Adjustable attenuator and equalizer
- ✓ Upstream 5...65 MHz
- ✓ Adjustable attenuator
- ✓ Al-die-cast/plastic housing

Order information

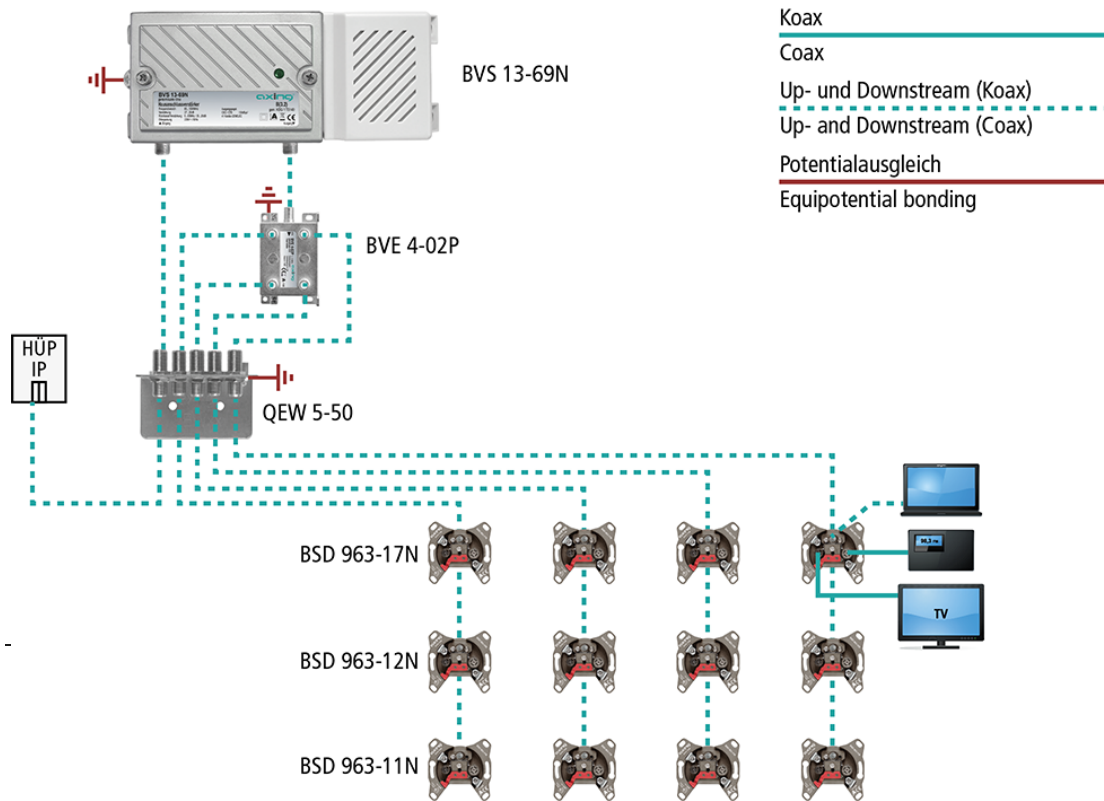
Type	BVS 13-69N
Order no.	BVS01369N
GTIN	7611682004823
PE	1
VE	1
EU customs tariff number	85437030



Technical data

EMC	according to EN 50083-2, class A
Classification according to KDG 1 TS 140	B(3.2)
Downstream	
Frequency range	85...1006 MHz
Gain	27...30 dB
Max. output level CSO/CTB (CENELEC raster, 41 channels, 60 dB IMA)	100/98 dB μ V
Attenuation: continuously adjustable	0...20 dB
Equalization: continuously adjustable	0...18 dB
Return loss	\geq 14 dB (-1.5 dB/Octave)
Noise figure typ.	7 dB
Upstream	
Frequency range	5...65 MHz
Gain	25...28 dB
Attenuation: continuously adjustable	0...20 dB
RF connectors	
Type	F-female
General	
Power supply	230 VAC / 50 Hz
Power indicator	LED
Power consumption	6 W
Equipotential bonding connection	4 mm ²
Operating temperature range (acc. to EN 60065)	-20...+50°C
Dimensions (W x H x D) appr.	192 x 89 x 40 mm
Weight	0.360 kg
Protection class	IP 20
Comments	* @ 3dB slope, 100 dB μ V @ flat 0dB slope, 98 dB μ V

Example of use



Suitable products

- [QEW 5-50 Earthing angle | Vodafone Kabel Deutschland approved](#)
- [QEW 6-50 Earthing angle | Vodafone Kabel Deutschland approved](#)
- [QEW 7-50 Earthing angle | Vodafone Kabel Deutschland approved](#)
- [QEW 8-50 Earthing angle | Vodafone Kabel Deutschland approved](#)
- [QEW 9-50 Earthing angle | Vodafone Kabel Deutschland approved](#)
- [QEW 11-50 Earthing angle | Vodafone Kabel Deutschland approved](#)
- [QEW 13-50 Earthing angle | Vodafone Kabel Deutschland approved](#)
- [QEW 17-50 Earthing angle | Vodafone Kabel Deutschland approved](#)
- [QEW 25-50 Earthing angle | Vodafone Kabel Deutschland approved](#)