

BVS 20-69 CATV amplifier 38 dB | 107 dBμV CSO/CTB



- ✓ Local power supply
- ✓ Downstream 85...1006 MHz
- ✓ Attenuation and equalization adjustable
- ✓ Interstage attenuation/equalization pluggable with jumpers
- ✓ Upstream 5...65 MHz
- ✓ Interstage attenuation/equalization pluggable with jumpers
- ✓ Al-die-cast housing
- ✓ Test ports at in- and output

Order information

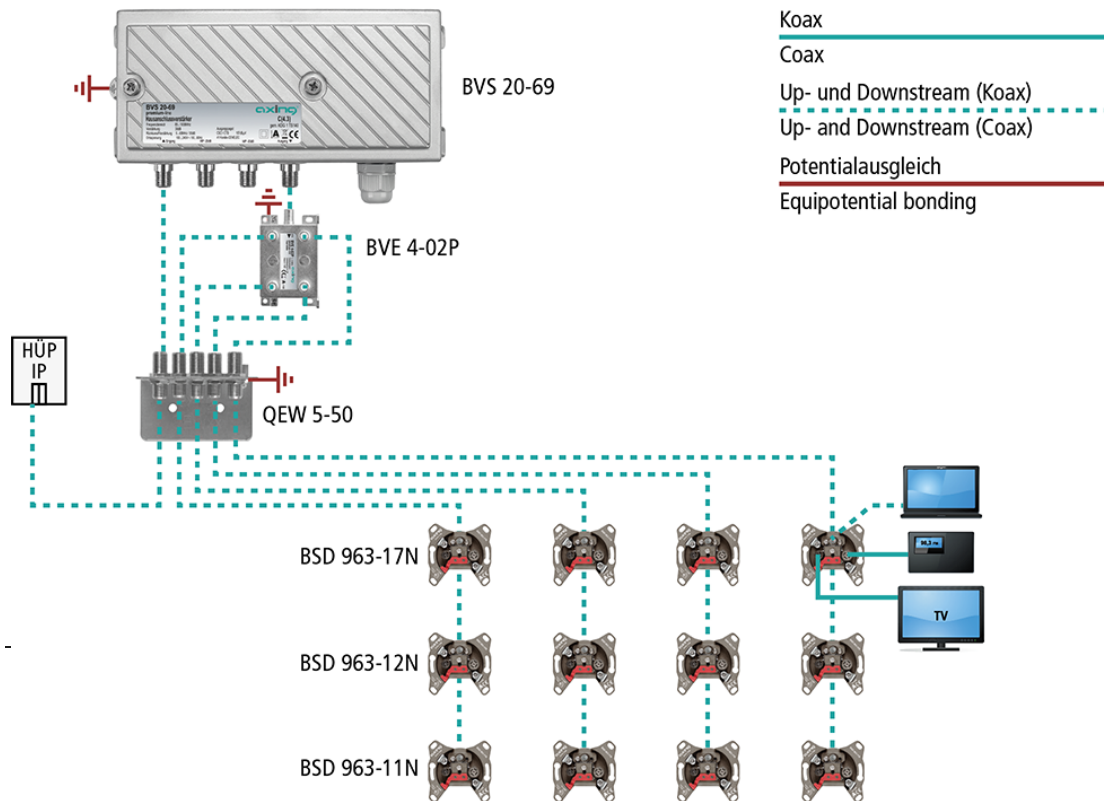
Type	BVS 20-69
Order no.	BVS02069
GTIN	7611682003758
PE	1
VE	1
EU customs tariff number	85437030



Technical data

EMC	according to EN 50083-2, class A
Classification according to 1 TS 140	C(4.3)
Downstream	
Frequency range	85...1006 MHz
Gain	38 dB
Max. output level CSO/CTB (CENELEC raster, 41 channels, 60 dB IMA)	107 dBμV
Attenuation: adjustable in 1 dB steps	0...15 dB
Equalization: adjustable in 1 dB steps	0...15 dB
Attenuation interstage: pluggable with jumpers	0 2 4 6 dB
Equalization interstage: pluggable with jumpers	0 2 4 6 dB
Return loss	≥ 18 dB (-1.5 dB/Octave)
Noise figure typ.	≤ 5.5 dB
Upstream	
Frequency range	5...65 MHz
Gain	30 dB
Noise figure	≤ 7 dB
Attenuation: continuously adjustable	0...15 dB
Equalization interstage: pluggable with jumpers	0 3 6 9 dB
Attenuation interstage: pluggable with jumpers	0 6 dB
RF connectors	
Type	F-female
Test port at in-/output	-20 ±2.5 dB/-20 ±1.0 dB
General	
Switching power supply	100...240 VAC / 50...60 Hz
Power indicator	LED
Power consumption	10 W
Equipotential bonding connection	4 mm ²
Operating temperature range (acc. to EN 60065)	-20...+50°C
Dimensions (W × H × D) appr.	195 × 90 × 55 mm
Weight	0.480 kg
Protection class	IP 54

Example of use



Suitable products

- [QEW 5-50 Earthing angle | Vodafone Kabel Deutschland approved](#)
- [QEW 6-50 Earthing angle | Vodafone Kabel Deutschland approved](#)
- [QEW 7-50 Earthing angle | Vodafone Kabel Deutschland approved](#)
- [QEW 8-50 Earthing angle | Vodafone Kabel Deutschland approved](#)
- [QEW 9-50 Earthing angle | Vodafone Kabel Deutschland approved](#)
- [QEW 11-50 Earthing angle | Vodafone Kabel Deutschland approved](#)
- [QEW 13-50 Earthing angle | Vodafone Kabel Deutschland approved](#)
- [QEW 17-50 Earthing angle | Vodafone Kabel Deutschland approved](#)
- [QEW 25-50 Earthing angle | Vodafone Kabel Deutschland approved](#)